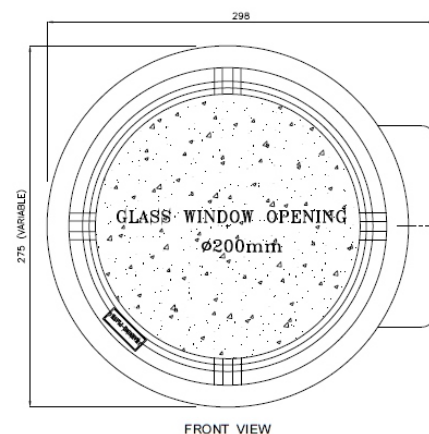
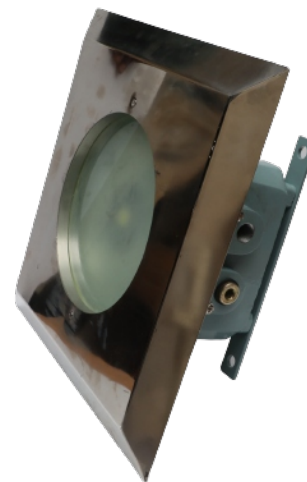




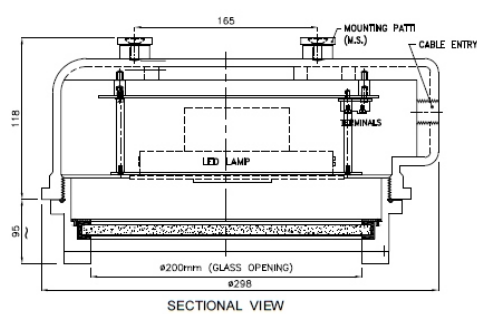
DATA SHEET FOR CLEAN ROOM LIGHT FITTING (BOTTOM OPENING)

TECHNICAL DATA:

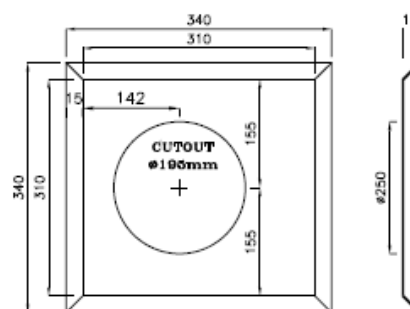
PRODUCT	: CAT.NO.: BH / 2C / 197
ENCLOSURE	: FLAME PROOF (Ex -d), Gas Group IIA , IIB , IIC As per IS/IEC 60079-1 : 2014
PROTECTION	: WEATHER PROOF IP – 66 AS PER IS/IEC 60529:2001 (Reaffirmed 2014)
AREA & TEMP. CLASS	: Ex db IIC T6 Gb (EX tb / tc IIIC T85 C Db/Dc (ZONE 1 & 2 & Zone 21 & 22)
CERTIFICATION	: CIMFR, BIS, PESO
TEMPERATURE CLASS	: T6
MATERIAL	: DIE CAST ALUMINIUM ALLOY
FINISH	: EPOXY POWDER COATED SHADE AS PER IS : 5
EARTHING	: 1 No INTERNAL & 2 No's EXTERNAL
HARDWARE	: STAINLESS STEEL
GASKET	: 'O' RING ENDLESS GASKET NEOPRENE / SILICON
NAME PLATE	: SS NAME PLATE CUM WARNING PLATE
GLASS	: HEAT RESISTANT CLEAR TOUGHENED GLASS TYPE - A
ENTRIES	: 2 Nos M20 / ½ " NPT / EQUIVALENT
VOLTAGE	: 140 V – 270 V (240 V AC)
POWER FACTOR	: ≥0.95
INPUT FREQUENCY	: 50 Hz.
EFFICACY	: ≥100 LUMEN PER WATT
COLOUR (CCT)	: 3000K / 5700K / 6500 K / OR AS SPECIFIED
CRI	: ≥80 RA
THD	: ≤ 10 % THD
SURFACE TEMP.	: MAX . 70°
SURGE PROTECTION	: 10 KV SPD
LED MAKE	: CITIZEN / OSRAM / BRIDGELUX / EQUIVALENT
DRIVER MAKE	: OSRAM / PHILIPS / FULHAM / EQUIVALENT – BIS APPROVED



FRONT VIEW



SECTIONAL VIEW

S.S. FRAME (Optional part as per Clients Requirement)
(overall dimensions)

OPTIONS

SR.NO	PARTICULAR	OPTIONS
1.	MATERIAL OF CONSTRUCTION	STAINLESS STEEL
2.	VOLTAGE	220V DC / 110 V AC / 110 V DC / 24 V AC
3.	LED TYPE	COB / SMD
4.	BATTERY BACK UP	UP TO 90 MINS
5.	GLAND & PLUG	BRASS / SS / ALUMINIUM
6.	COLOUR SHADE	631 , 632 , 355 , 7031 , 7032 etc.
7.	SS FRAME	
8.	M.S BOX & SS COVER	

SELECTION CHART

SR.NO	WATTAGE	PART NO
1	20	BH / 2C / 197 / 20
2	30	BH / 2C / 197 / 30
3	45	BH / 2C / 197 / 45
4	50	BH / 2C / 197 / 50
5	60	BH / 2C / 197 / 60

CUTOUT SIZE

300 X 300